



SERVICE MANUAL

SB110 / SB112 / SB115

WEB ACCESS: <http://www.yorkville.com>

WORLD HEADQUARTERS CANADA

Yorkville Sound
550 Granite Court
Pickering, Ontario
L1W-3Y8 CANADA

Voice: (905) 837-8481
Fax: (905) 837-8746

U.S.A.

Yorkville Sound Inc.
4625 Witmer Industrial Estate
Niagara Falls, New York
14305 USA

Voice: (716) 297-2920
Fax: (716) 297-3689



Quality and Innovation Since 1963
Printed in Canada

SMT Disclaimer

Due to the complex nature of the use of SMT installed components in Yorkville equipment, we highly caution all service technicians in attempting to repair or replace SMT factory installed components.

Many of these components may be glued prior to initial soldering.

Replacing SMT components requires expensive specialized de-soldering equipment and training.

Yorkville Sound will repair and replace defective SMT components to ensure proper quality assurance and installation is maintained.



SB112



SB110



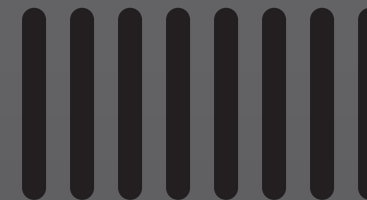
SB115

Traynor

SMALLBLOCK 110



DISCONNECT POWER BEFORE SERVICING!
DEBRANCHER L'APPAREIL AVANT
D'ENLEVER LES COUVERCLES!



SB110

A-Z1566R / 1v2

CE	200-240V~	100-120V~
	50Hz	60Hz
	200 mA	400 mA

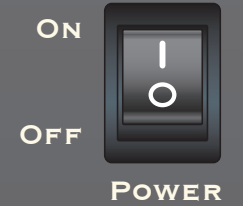
DESIGNED & MANUFACTURED BY
YORKVILLE SOUND • TORONTO, CANADA

THIS UNIT MUST
BE GROUNDED!
CET APPAREIL DOIT
ETRE MIS À TERRE!

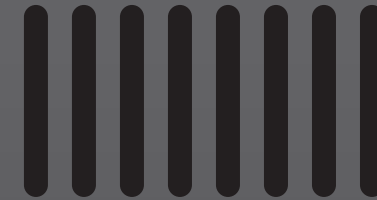


Traynor

SMALLBLOCK 112



DISCONNECT POWER BEFORE SERVICING!
DEBRANCHER L'APPAREIL AVANT
D'ENLEVER LES COUVERCLES!

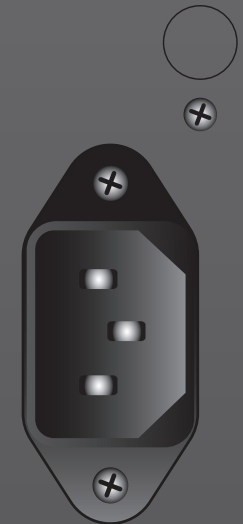


SB112

A-Z1568R / 1v3

200-240V~ 50Hz 200 mA	100-120V ~ 60Hz 400 mA
-----------------------------	------------------------------

DESIGNED & MANUFACTURED BY
YORKVILLE SOUND • TORONTO, CANADA



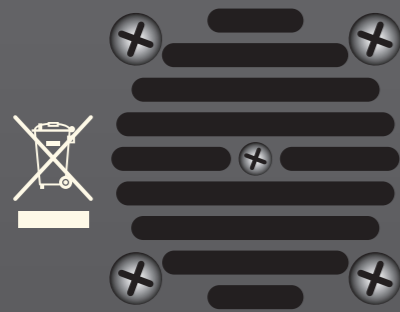
THIS UNIT MUST
BE GROUNDED!
CET APPAREIL DOIT
ETRE MIS Á TERRE!



Traynor

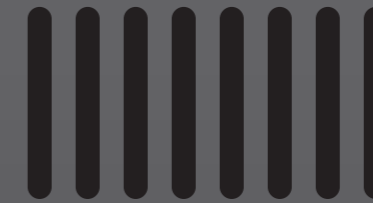
SMALLBLOCK 115

ON
OFF
POWER



CAUTION AVIS
RISK OF ELECTRIC SHOCK
DO NOT OPEN
RISQUE DE CHOC ELECTRIQUE
NE PAS OUVRIR

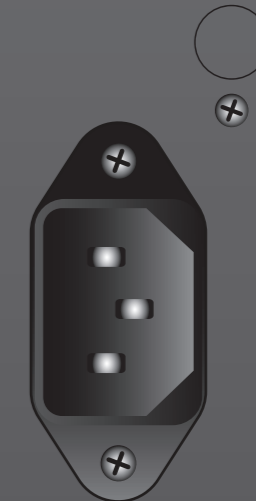
DISCONNECT POWER BEFORE SERVICING!
DEBRANCHER L'APPAREIL AVANT
D'ENLEVER LES COUVERCLES!



SB115 A-Z1570R / 1v2

200-240V~ 50Hz 200 mA	100-120V~ 60Hz 400 mA
-----------------------------	-----------------------------

DESIGNED & MANUFACTURED BY
YORKVILLE SOUND • TORONTO, CANADA



THIS UNIT MUST
BE GROUNDED!
CET APPAREIL DOIT
ETRE MIS Á TERRE!

Specifications

Model: SB110
Type: bass amp
Cabinet Impedance (ohms): 4 ohms
Power @ min. impedance (watts): 120 watts
Minimum Impedance (ohms): 4 ohms
Burst Power - 2 cycle: 125 watts
Speaker Configuration - LF (Size / Power): 10-inch/200W
Input Channels: 2
Channel 1 - inputs: passive 0 dB, active -6 dB
Channel 1 - controls: Gain, Bass, Low Mid, High Mid, Treble and Low Expander
Channel 1 - switches: Tweeter enable/disable
Channel 2 - inputs: Aux In - 1/4-inch
Line Out (type / configuration): Balanced Post-EQ, AUX is Pre-EQ
Line Out Sensitivity (Vrms): 1 Vrms
Effects Loop / Location: none
LED Indicators: red, blue protect, power
Protection: clip, thermal, overcurrent.
External speaker output / location: none
Other Features: Tweeter/30W enable/disable switch, 1/4-inch head phone jack
Dimensions (DWH, inches): 14 x 14 x 14
Dimensions (DWH, cm): 35.6 x 35.6 x 35.6
Weight (lbs / kg): 21/9.5

Specifications

Model: SB112, SB115
Type: bass amp
Cabinet Impedance (ohms): 4 ohms
Power @ min. impedance (watts): 200 watts
Minimum Impedance (ohms): 4 ohms
Burst Power - 2 cycle: 250 watts
Speaker Configuration - LF (Size / Power): 12-inch/200W (SB112), 15-inch/200W (SB115)
Input Channels: 2
Channel 1 - inputs: passive 0 dB, active -6 dB
Channel 1 - controls: Gain, Bass, Low Mid, High Mid, Treble, Low Expander and Master*
(Master on SB115 only)
Channel 1 - switches: Ground Lift, Limiter* (Limiter on SB115 only)
Channel 2 - inputs: Aux In - 1/4-inch
Master Volume Control: Yes (on SB115 only)
Line Out (type / configuration): Balanced Post-EQ, AUX is Pre-EQ,
Ground Lift (on SB115 only)
Line Out Sensitivity (Vrms): 1 Vrms
Effects Loop / Location: none
LED Indicators: Blue Power and Red (status)
Protection: Clip, thermal and overcurrent.
External speaker output / location: none
Other Features: Tweeter/30W enable/disable switch, 1/4-inch head phone jack
Dimensions (DWH, inches): 14 x 15.5 x 17.5 (SB112), 15 x 18 x 21.5 (SB115)
Dimensions (DWH, cm): 35.6 x 39.5 x 44.5 (SB112), 38.25 x 45.75 x 55.75 (SB115)
Weight (lbs / kg): 25/11.3 (SB112), 31/14 (SB115)

Spécifications

Modèle	SB110
Type:	amplificateur pour basse
Impédance d'Enceinte (ohms):	4 ohms
Puissance @ min. impédance (watts):	120 watts
Impédance Minimum(ohms):	4 ohms
Puissance de Pointe - 2 cycles:	125 watts
Configuration de Haut-Parleur - FG (Dimensions / Puissance):	10 pouces/200W
Canaux d'entrée:	2
Canal 1 - entrées:	passive 0 dB, active -6 dB
Canal 1 - contrôles:	Gain, Bass, Low Mid, High Mid, Treble et Low Expander
Canal 1 - sélecteurs:	Tweeter actif / désactif
Canal 2 - entrées:	Entrée Aux - 1/4 de pouce
Sortie Ligne (type / configuration):	Symétrique Post-EQ, Aux est Pré-EQ
Sortie Ligne Sensibilité (Vrms):	1 Vrms
Boucle d'Effets / emplacement:	Non
DEL indicatrices:	rouge, bleue, protect, alimentation
Protection:	clip,thermique,srucharge.
Haut-parleur externe - sortie/emplacement:	non
Autres Caractéristiques:	Tweeter/30W avec sélecteur actif/désactif, prise pour casque 1/4 de pouce
Dimensions (PLH, pouces):	14 x 14 x 14
Dimensions (PLH, cm):	35.6 x 35.6 x 35.6
Poids (livres / kg):	21/9.5

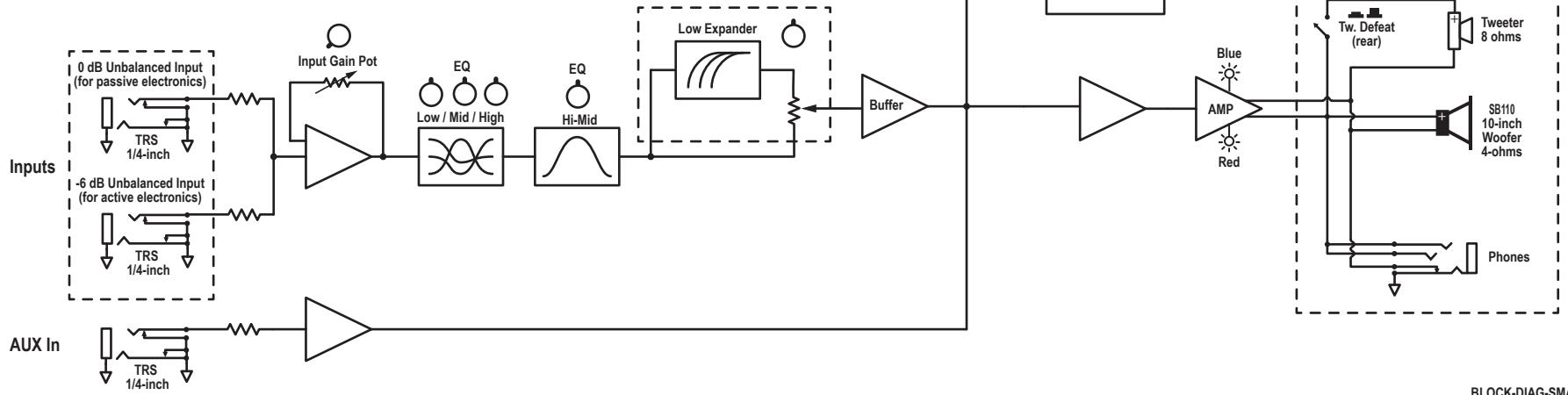
Spécifications

Modèle	SB112, SB115
Type:	amplificateur pour basse
Impédance d'Enceinte (ohms):	4 ohms
Puissance @ min. impédance (watts):	200 watts
Impédance Minimum(ohms):	4 ohms
Puissance de Pointe - 2 cycles:	250 watts
Configuration de Haut-Parleur - FG (Dimensions / Puissance):	12 pouces/200W (SB112), 15 pouces/200W (SB115)
Canaux d'entrée:	2
Canal 1 - entrées:	passive 0 dB, active -6 dB
Canal 1 - contrôles:	Gain, Bass, Low Mid, High Mid, Treble, Low Expander et Master* (Master sur le SB115 seulement)
Canal 1 - sélecteurs:	Ground Lift, Limiter* (Limiteur sur le SB115 seulement)
Canal 2 - entrées:	Entrée Aux - 1/4 de pouce
Commande Master Volumel:	Oui (sur le SB115 seulement)
Sortie Ligne (type / configuration):	Symétrique Post-EQ, Aux est Pré-EQ Ground Lift (sur le SB115 seulement)
Sortie Ligne Sensibilité (Vrms):	1 Vrms
Boucle d'Effets / emplacement:	Non
DEL indicatrices:	Bleue Alimentation et Rouge (status)
Protection:	clip,thermique,srucharge.
Haut-parleur externe - sortie/emplacement:	Non
Autres Caractéristiques:	Tweeter/30W avec sélecteur actif/désactif, prise pour casque 1/4 de pouce
Dimensions (PLH, pouces):	14 x 15.5 x 17.5 (SB112), 15 x 18 x 21.5 (SB115)
Dimensions (PLH, cm):	35.6 x 39.5 x 44.5 (SB112), 38.25 x 45.75 x 55.75 (SB115)
Poids (livres / kg):	25/11.3 (SB112), 31/14 (SB115)

Block Diagram for Small Block 110

DESIGNED AND MANUFACTURED BY YORKVILLE SOUND

MODEL TYPE: YS1109

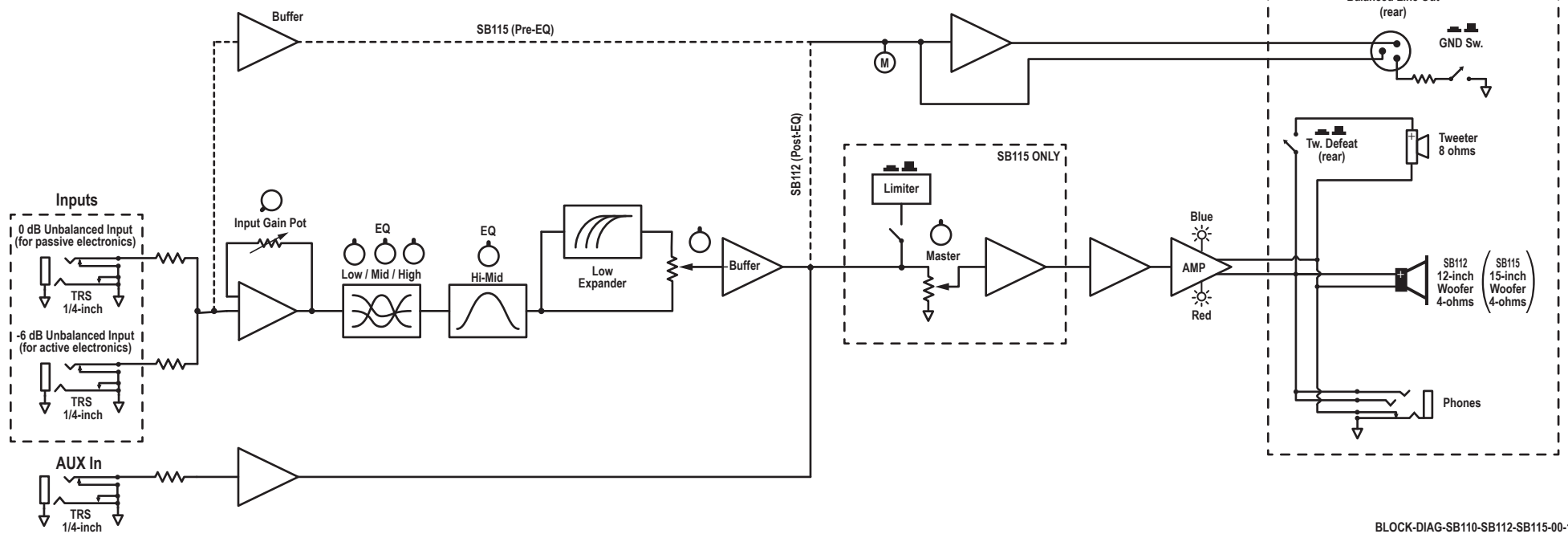


BLOCK-DIAG-SMALLBLOCK110-00-1v0

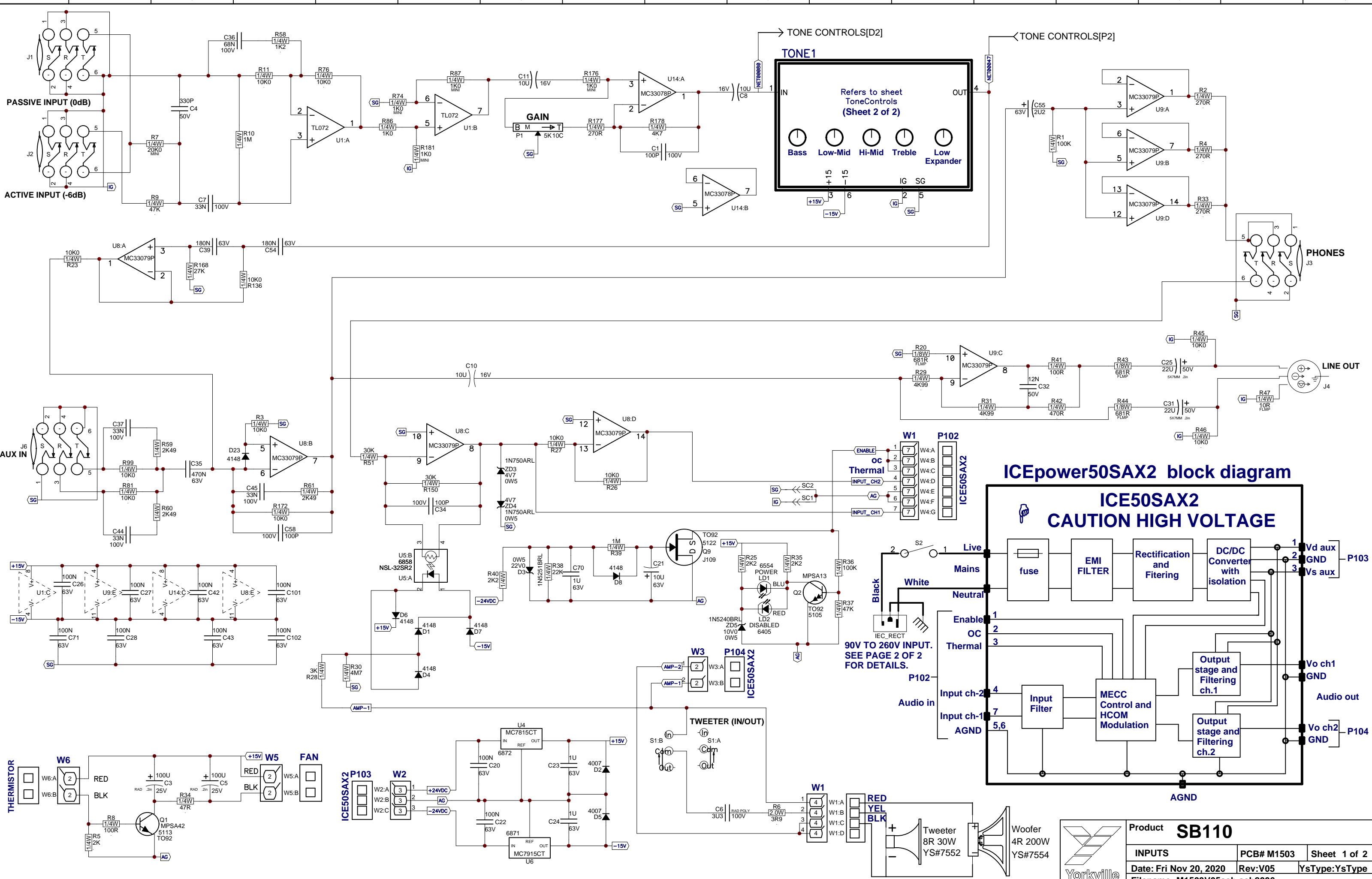
Block Diagram for Small Block 112/115

DESIGNED AND MANUFACTURED BY YORKVILLE SOUND

MODEL TYPE: YS1109



BLOCK-DIAG-SB110-SB112-SB115-00-1v0



TONE1

Refers to sheet ToneControls (Sheet 2 of 2)

Bass Low-Mid Hi-Mid Treble Low Expander

IN 1 OUT 4

+15V -15V IG SG

ICEpower50SAX2 block diagram

ICE50SAX2 CAUTION HIGH VOLTAGE

Live Mains Neutral Enable OC Thermal AGND

fuse EMI FILTER Rectification and Filtering DC/DC Converter with isolation

Input Filter MECC Control and HCOM Modulation Output stage and Filtering ch.1 Output stage and Filtering ch.2

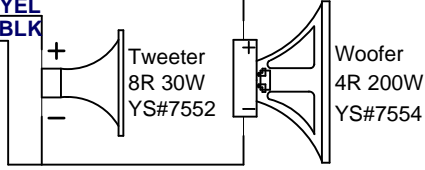
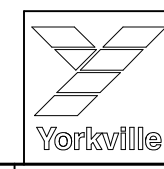
Vo aux 1 GND 2 Vs aux 3

Vo ch1 GND Vo ch2 GND

AGND

Product **SB110**

INPUTS	PCB# M1503	Sheet 1 of 2
Date: Fri Nov 20, 2020	Rev:V05	YsType:YsType
Filename: M1503V05sch.sch2006		



90V TO 260V INPUT. SEE PAGE 2 OF 2 FOR DETAILS.

OC Thermal

AGND

Audio in

Input ch-2

Input ch-1

AGND

Black

White

Live

Neutral

Enable

OC Thermal

AGND

Input ch-2

Input ch-1

AGND

Audio in

Enable

OC Thermal

AGND

Input ch-2

AGND

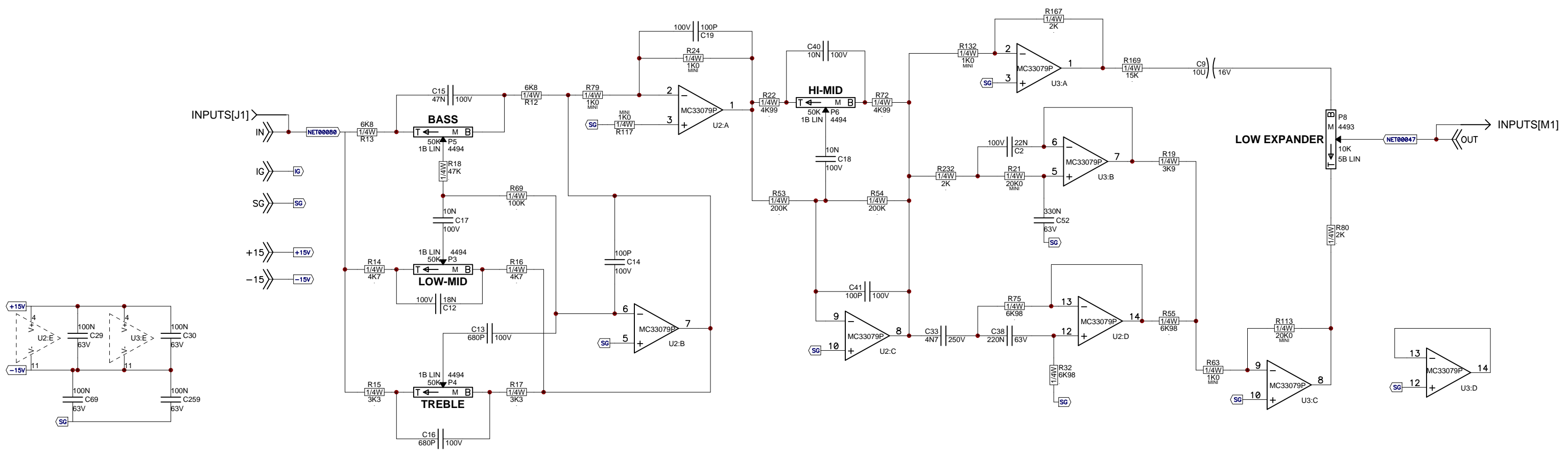
Audio in

Enable

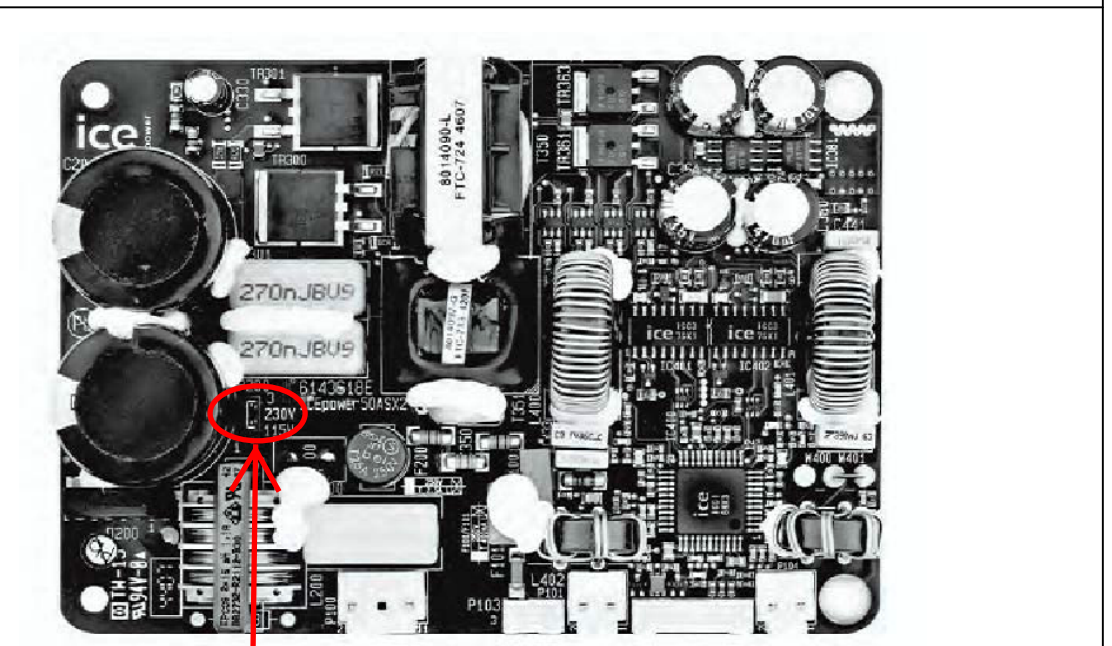
OC Thermal

AGND

Input ch-2

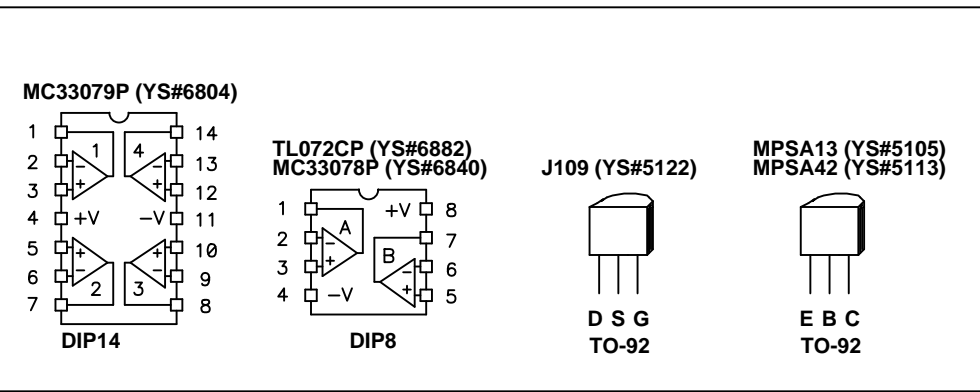


MAINS VOLTAGE INPUT SETTING (NA<->CE)



SET JUMPER P200 TO "115V" FOR NORTH AMERICA. SET IT TO "230V" FOR EUROPE.

LEADS & PINS REFERENCE



POTENTIOMETERS AND KNOBS

M1503 - POTS LIST				
MODEL(S):- SMALL BLOCK - SB110				
REF	FUNCTION	PART#	KNOB	STYLE
P1	GAIN	4499	10020	P41
P3	LOW-MID	4494	10020	P41
P4	TREBLE	4494	10020	P41
P5	BASS	4494	10020	P41
P6	HI-MID	4494	10020	P41
P8	LOW EXPANDER	4493	10020	P41
R	F	P	K	N
R	F	P	K	N
R	F	P	K	N
R	F	P	K	N
R	F	P	K	N
R	F	P	K	N

M1503 DATABASE HISTORY			
MODEL(S):- SMALL BLOCK - SB110			
#	DATE	VER#	DESCRIPTION OF CHANGE
1	08-JAN-2013	V01	FIRST PRODUCTION RELEASE
2	13-MAY-2013	V02	PC8540: Several changes. See PC.
3	09-JUL-2013	V03	PC8550: Routed auxiliary signal to headphones. - ML
4	11-SEP-2014	V04	PC#8696: Replace R29 2K05 to 4K99(YS#4639).
5	03-DEC-2014	V04	PC#8734:D2,D5 YS#6438 (1N4007)added across the -
6			- output-of 7815 and 7915 regulators.
7			PC#8738:C20,C22 changed from 33P to 100N YS#5212.
8	14-SEP-2020	V05	PC9217 - Move R11 to prevent shorts and add S/N label
9	D	V	N
10	D	V	N
11	D	V	N
12	D	V	N
13	D	V	N

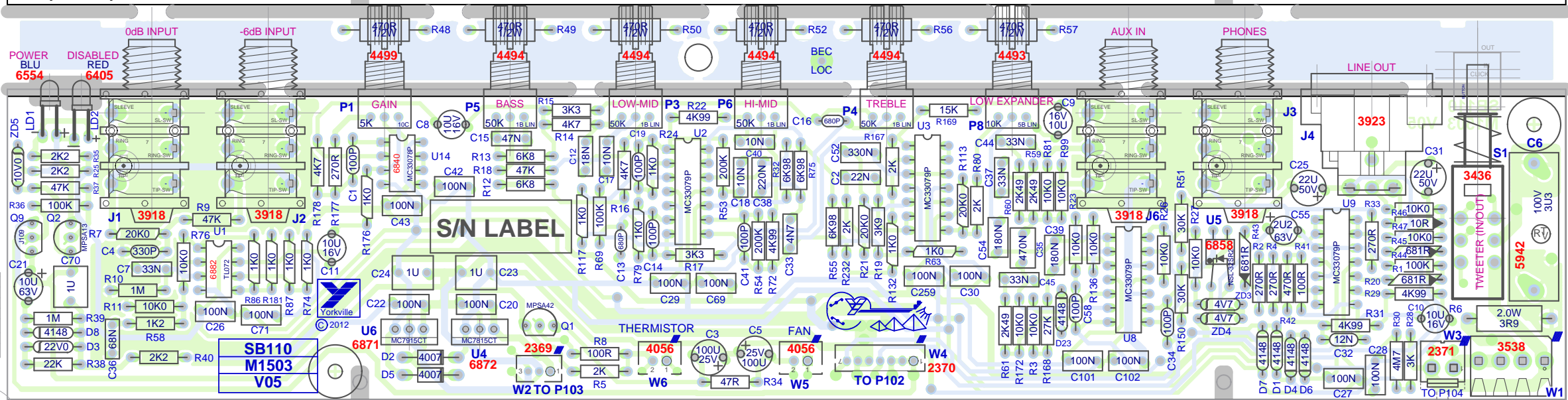


Product SB110

TCN	PCB# M1503	Sheet 2 of 2
Date: Fri Nov 20, 2020	Rev:V05	YsType:YsType
Filename: M1503V05sch.sch2006		

BlankSize - 12000x9000

ClinchRepeats - X1 @0.000Y3 @2.800
StepAndRepeat - X1 @0.000Y3 @2.800



M1503 V05

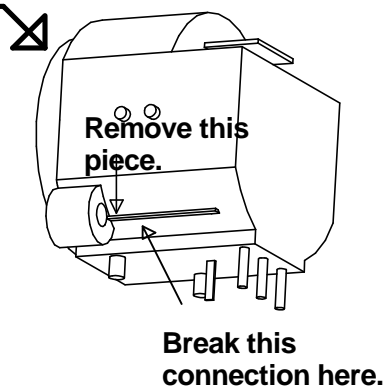
SB110

SEE LAYOUT DOCUMENTATION

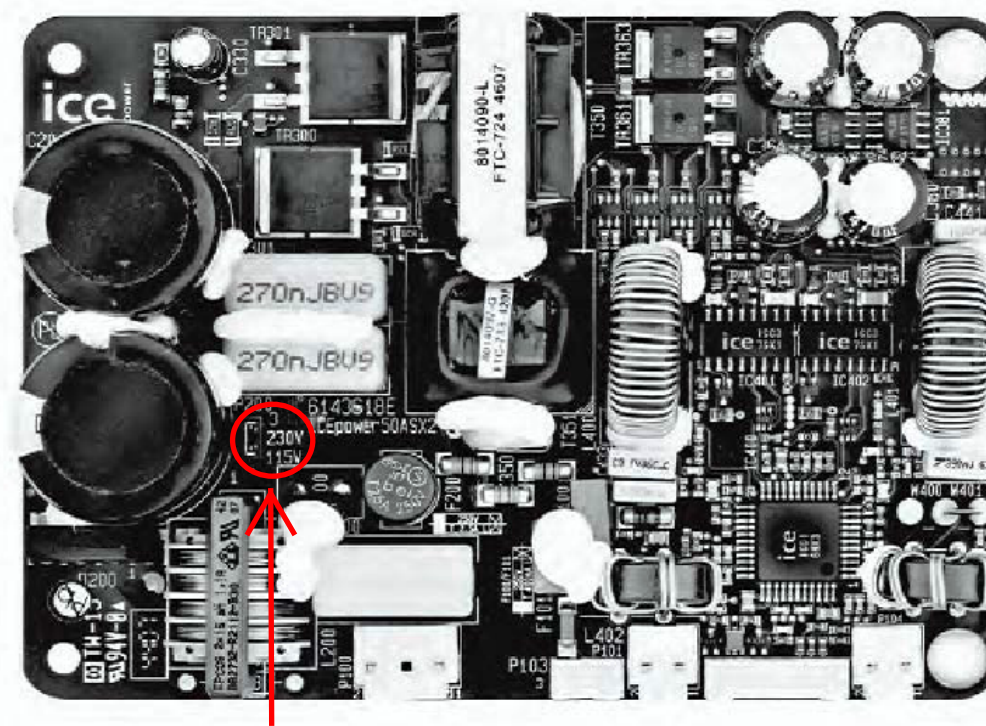
↑↑ SEE LAYOUT DIAGRAM ↑↑

M1503 V05 PRODUCTION NOTES

- 1 - Add RTV to C6.
- 2 - R48, R49, R50, R52, R56 and R57 are used to level up their respective pots during wave soldering.
- 3 - Break the connection of XLR J4 as per diagram.
- 4 - Please break the panel before testing



MAINS VOLTAGE INPUT SETTING (NA<->CE)

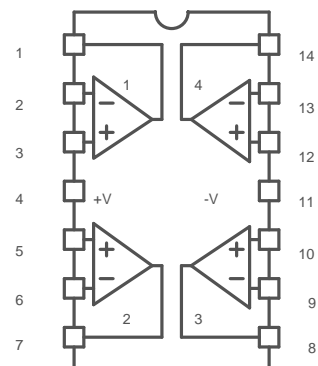


SET JUMPER P200 TO "115V" FOR NA.
SET IT TO "230V" FOR CE.

↑ SEE LAYOUT DIAGRAM ↑

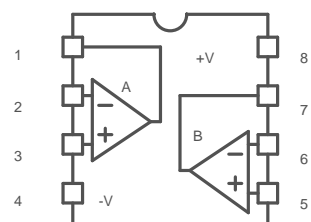
LEADS & PINS REFERENCE

MC33079P (YS#6804)



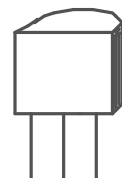
DIP14

**TL072CP (YS#6882)
MC33078P (YS#6840)**



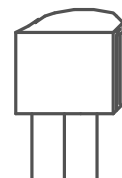
DIP8

J109 (YS#5122)



**D S G
TO-92**

**MPSA13 (YS#5105)
MPSA42 (YS#5113)**



**E B C
TO-92**

POTENTIOMETERS AND KNOBS

M1503 - POTS LIST

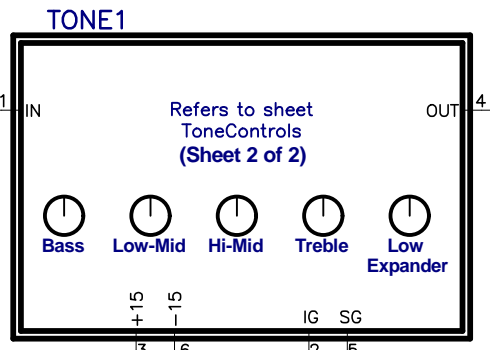
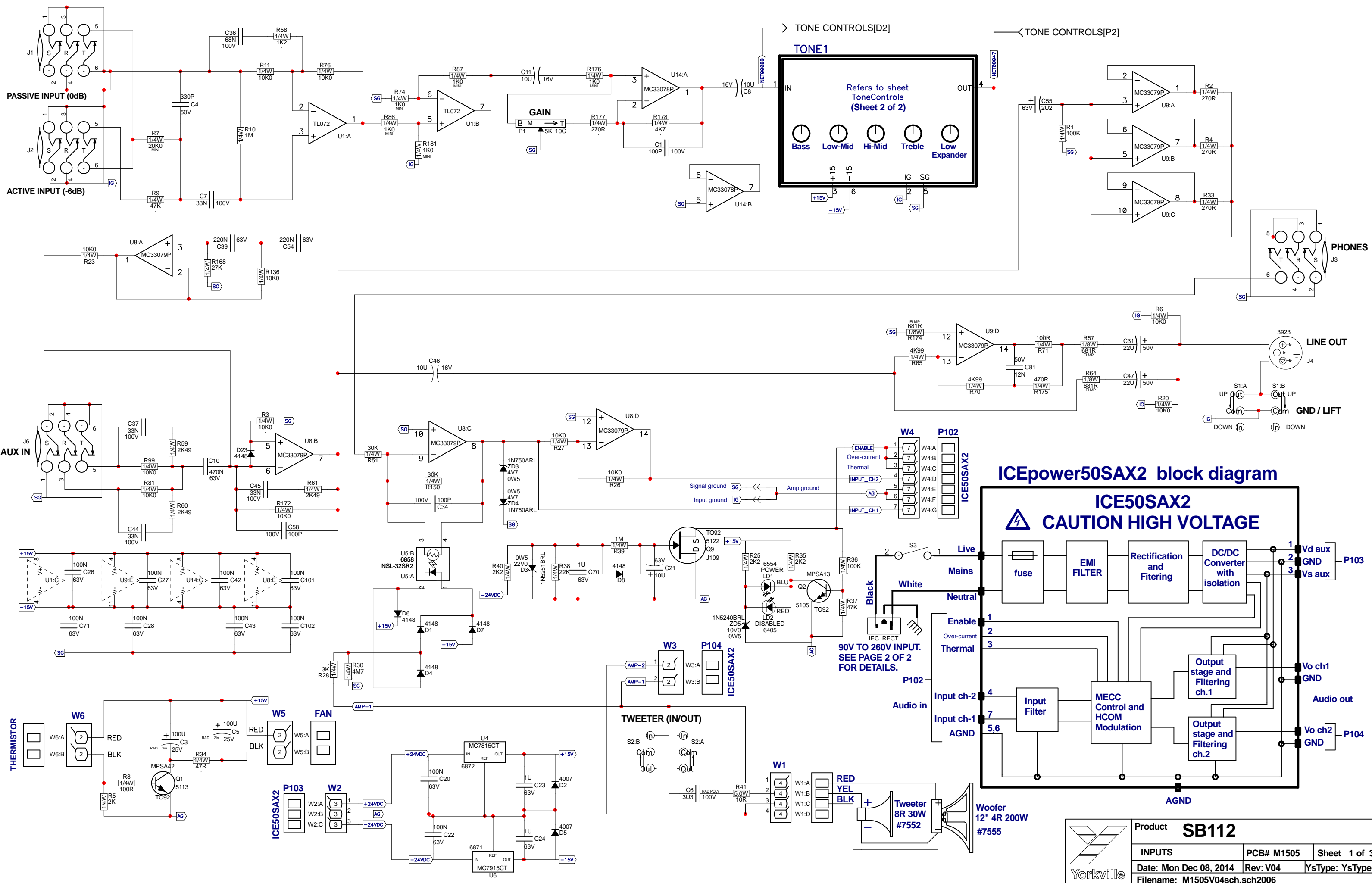
MODEL(S):- SMALL BLOCK - SB110

REF	FUNCTION	PART#	KNOB	STYLE
P1	GAIN	4499	10020	P41
P3	LOW-MID	4494	10020	P41
P4	TREBLE	4494	10020	P41
P5	BASS	4494	10020	P41
P6	HI-MID	4494	10020	P41
P8	LOW EXPANDER	4493	10020	P41
R	F	P	K	N
R	F	P	K	N
R	F	P	K	N
R	F	P	K	N
R	F	P	K	N
R	F	P	K	N

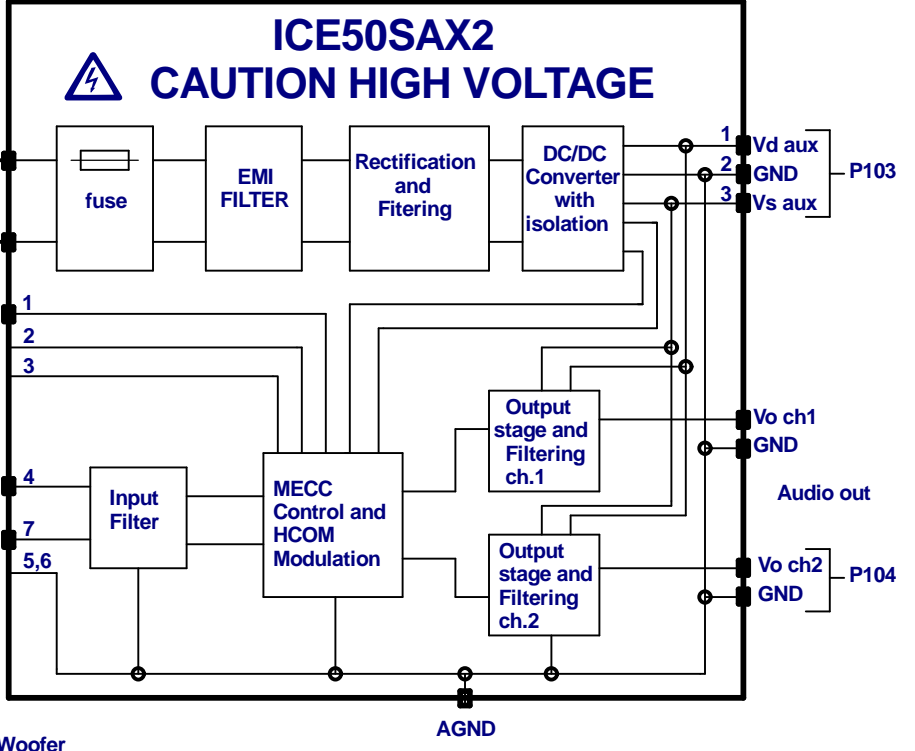
M1503 DATABASE HISTORY

MODEL(S):- SMALL BLOCK - SB110

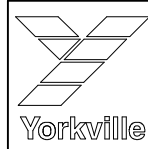
#	DATE	VER#	DESCRIPTION OF CHANGE
1	08-JAN-2013	V01	FIRST PRODUCTION RELEASE
2	13-MAY-2013	V02	PC8540: Several changes. See PC.
3	09-JUL-2013	V03	PC8550: Routed auxiliary signal to headphones. - ML
4	11-SEP-2014		PC#8696: Replace R29 2K05 to 4K99(YS#4639).
5	03-DEC-2014	V04	PC#8734:D2,D5 YS#6438 (1N4007)added across the -
6			- output-of 7815 and 7915 regulators.
7			PC#8738:C20,C22 changed from 33P to 100N YS#5212.
8	14-SEP-2020	V05	PC9217 - Move R11 to prevent shorts and add S/N label
9	D	V	N
10	D	V	N
11	D	V	N
12	D	V	N
13	D	V	N



ICEpower50SAX2 block diagram

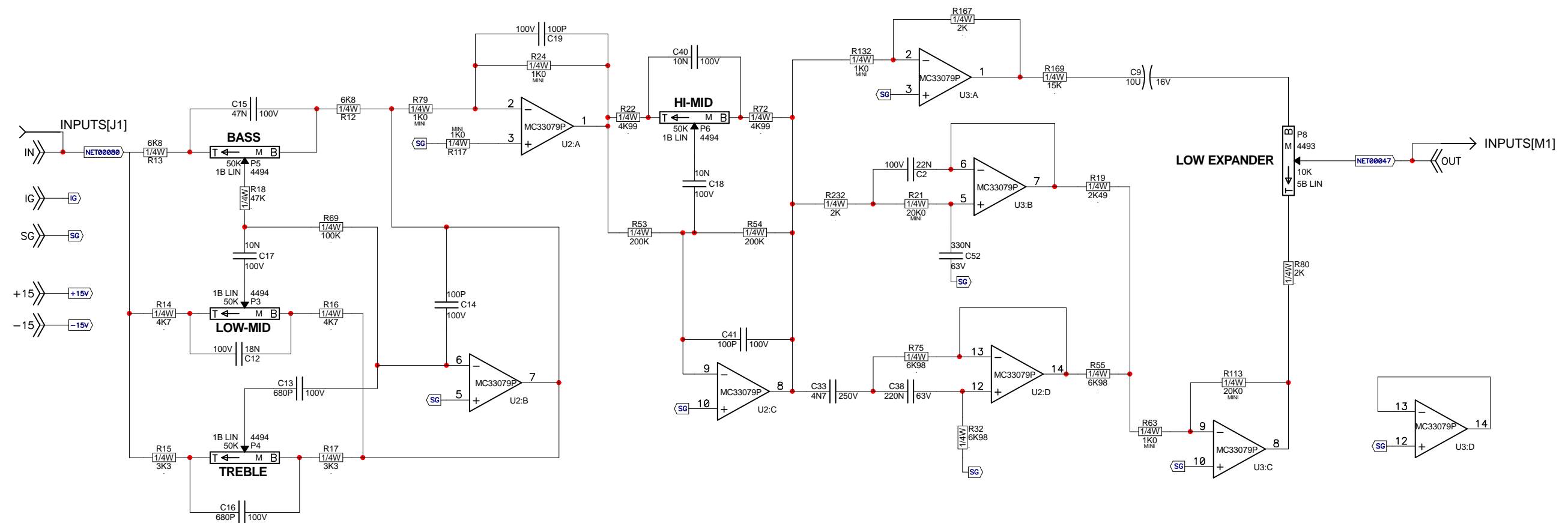


Product SB112		
INPUTS	PCB# M1505	Sheet 1 of 3
Date: Mon Dec 08, 2014	Rev: V04	YsType: YsType
Filename: M1505V04sch.rev2006		

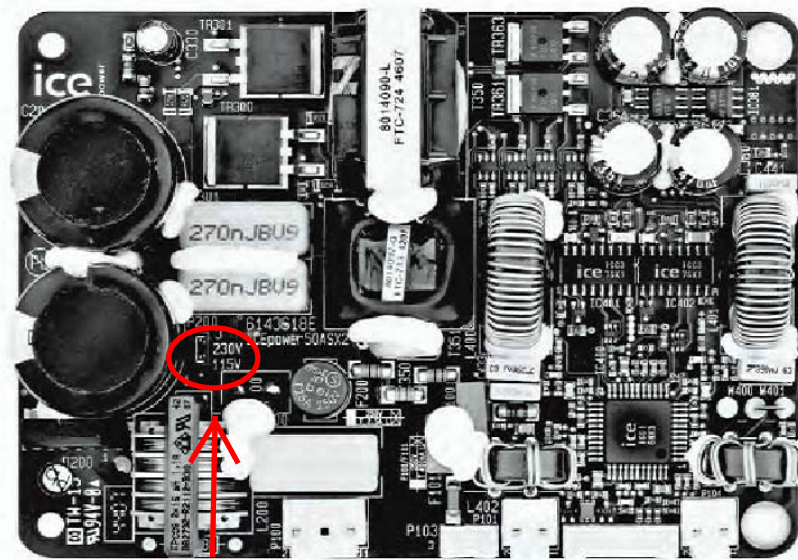


90V TO 260V INPUT. SEE PAGE 2 OF 2 FOR DETAILS.

Tweeter 8R 30W #7552
Woofer 12" 4R 200W #7555



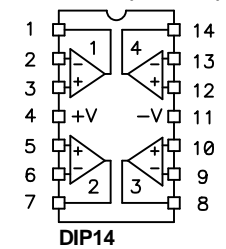
MAINS VOLTAGE INPUT SETTING (NA<->CE)



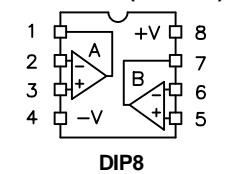
**SET JUMPER P200 TO "115V" FOR NORTH AMERICA.
SET IT TO "230V" FOR EUROPE.**

LEADS & PINS REFERENCE

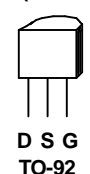
MC33079P (YS#6804)



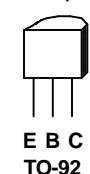
TL072CP (YS#6882)
MC33078P (YS#6840)



J109 (YS#5122)



MPSA13 (YS#5105)
MPSA42 (YS#5113)



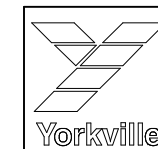
POTENTIOMETERS AND KNOBS

M1505 - POTS LIST

MODEL(S):- SMALL BLOCK - SB112				
REF	FUNCTION	PART#	KNOB	STYLE
P1	GAIN	4499	10020	P41
P3	LOW-MID	4494	10020	P41
P4	TREBLE	4494	10020	P41
P5	BASS	4494	10020	P41
P6	HI-MID	4494	10020	P41
P8	LOW EXPANDER	4493	10020	P41
R	F	P	K	N
R	F	P	K	N
R	F	P	K	N
R	F	P	K	N
R	F	P	K	N
R	F	P	K	N

M1505 DATABASE HISTORY

MODEL(S):- SMALL BLOCK - SB112			
#	DATE	VER#	DESCRIPTION OF CHANGE
1	JAN-08-2013	V01	FIRST PRODUCTION RELEASE. - ML
2	02-MAY-2013	.	Modified schematic to reflect rework done on all V01 PCBs. - ML
3			
4	13-MAY-2013	V02	PC8540: Rework on V01 included. GG
5	09-JUL-2013	V03	PC8550: Routed auxiliary signal to headphones. - ML
6	11-SEP-2014		PC8696: Replace R65 2K05 to 4K99 (YS 4639)
7	5-DEC-2014	V04	PC#8734:D2,D5 YS#6438(1N4007)added across the-output of 7815 and 7915 regulators.
8			PC#8738:C20,C22 changed from 33P to 100N YS#5212.
9			
10	D	V	N
11	D	V	N
12	D	V	N
13	D	V	N



Product SB112		
TONE CONTROLS	PCB# M1505	Sheet 2 of 3
Date: Mon Dec 08, 2014	Rev: V04	YsType: YsType
Filename: M1505V04sch.2006		

ICEpower50ASX2
2x50W or 1x170W ICEpower Amplifier
with integrated ICEpower Supply

Important!
This module is not repairable
In case of failure it needs to be replaced.
Please order Yorkville Sound part # 9704

Block Diagram

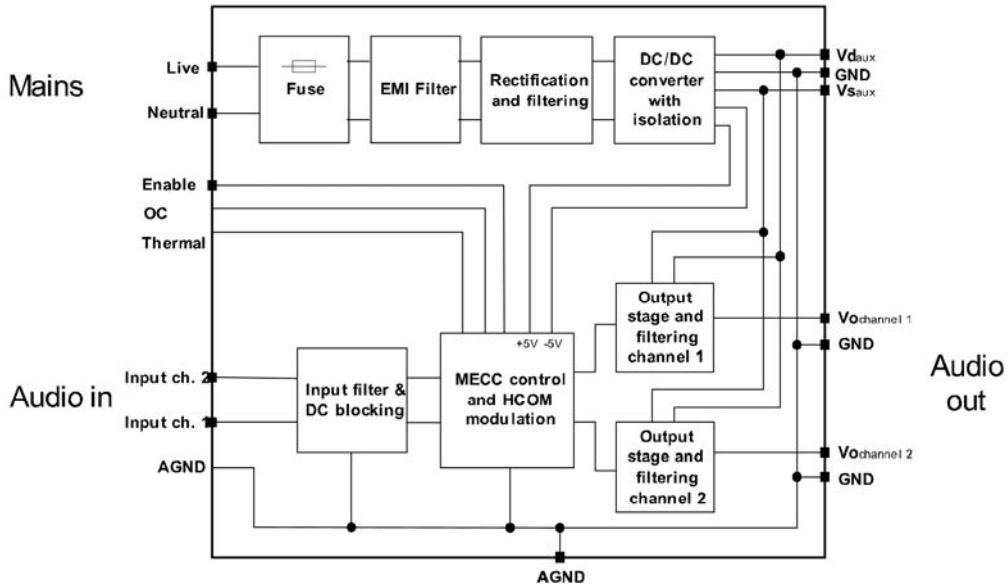


Figure 1: ICEpower50ASX2 block diagram

Connection Diagram

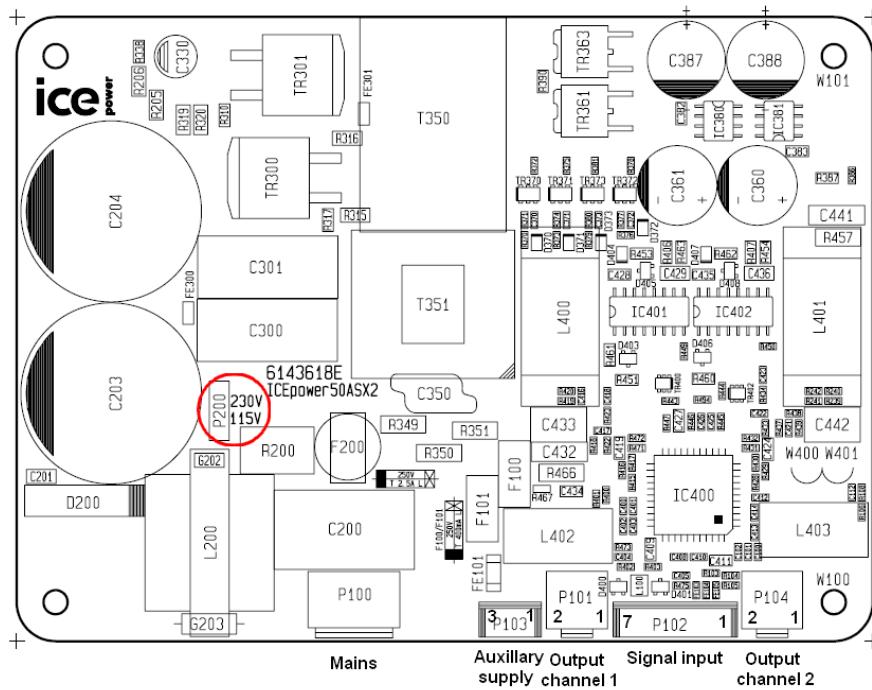
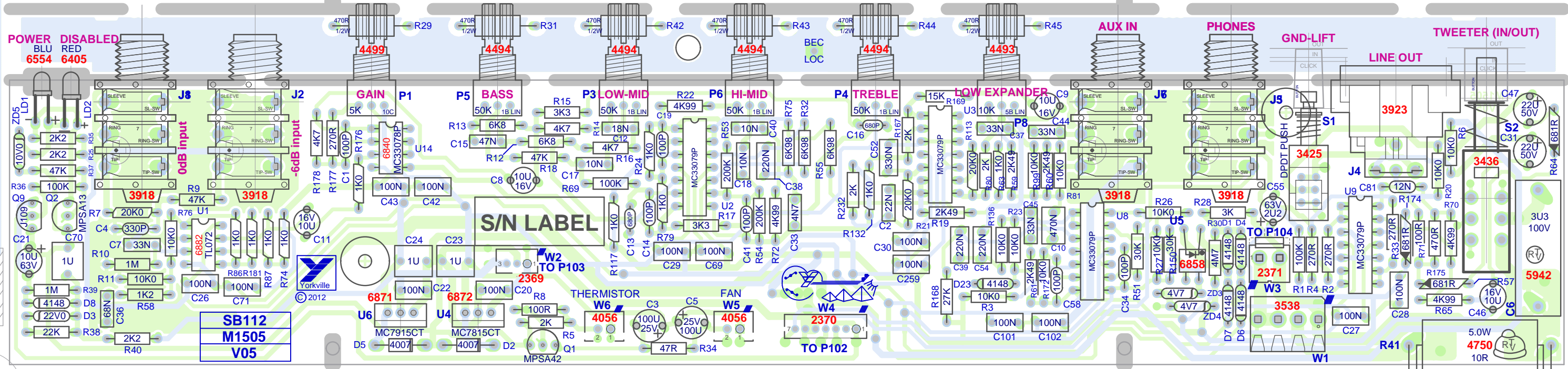


Figure 2: ICEpower50ASX2 connections

ClinchRepeats - X1 @0.000Y3 @2.800
StepAndRepeat - X1 @0.000Y3 @2.800

BlankSize - 13000x9000



M1505

V05

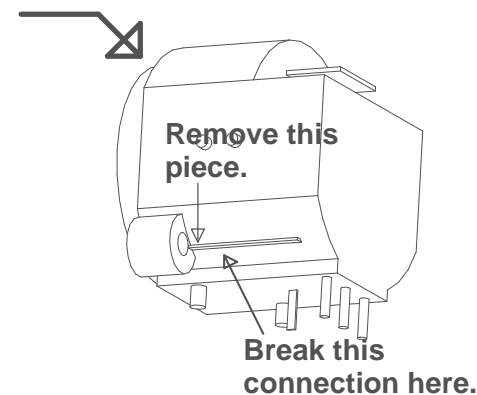
SB112

⇓ SEE LAYOUT DOCUMENTATION ⇓

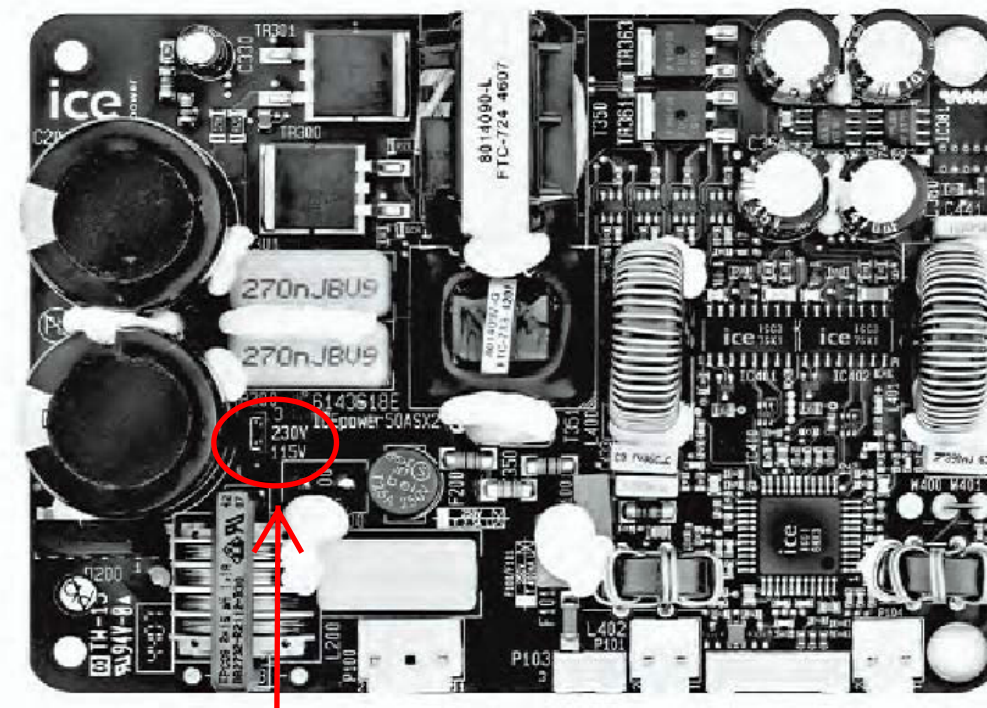
↑ SEE LAYOUT DIAGRAM ↑

M1505 V05 PRODUCTION NOTES

- 1 - Add RTV to C6 and R41.
- 2 - R29, R31, R42, R43, R44 and R45 are used to level up their respective pots during wave soldering.
3. Please break the panel before testing
- 4 - Break the connection of XLR J4 as per diagram.
- 5 - Do not forget to add a 2-pin header to the thermistor harness assembly as shown below:



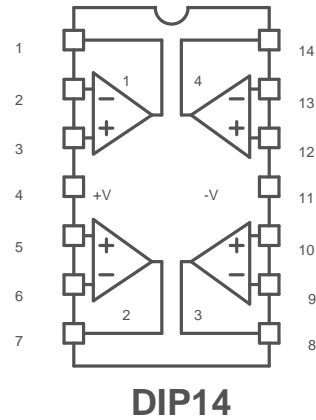
MAINS VOLTAGE INPUT SETTING (NA<->CE)



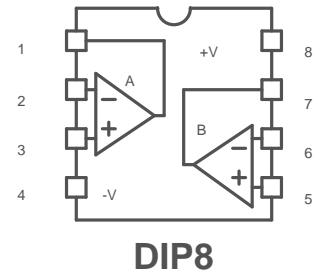
SET JUMPER P20 TO "115V" FOR NA.
SET IT TO "230V" FOR CE.

LEADS & PINS REFERENCE

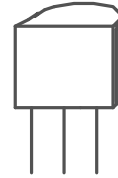
MC33079P (YS#6804)



**TL072CP (YS#6882)
MC33078P (YS#6840)**

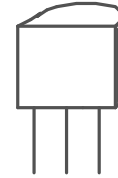


J109 (YS#5122)



**D S G
TO-92**

**MPSA13 (YS#5105)
MPSA42 (YS#5113)**



**E B C
TO-92**

POTENTIOMETERS AND KNOBS

M1505 - POTS LIST

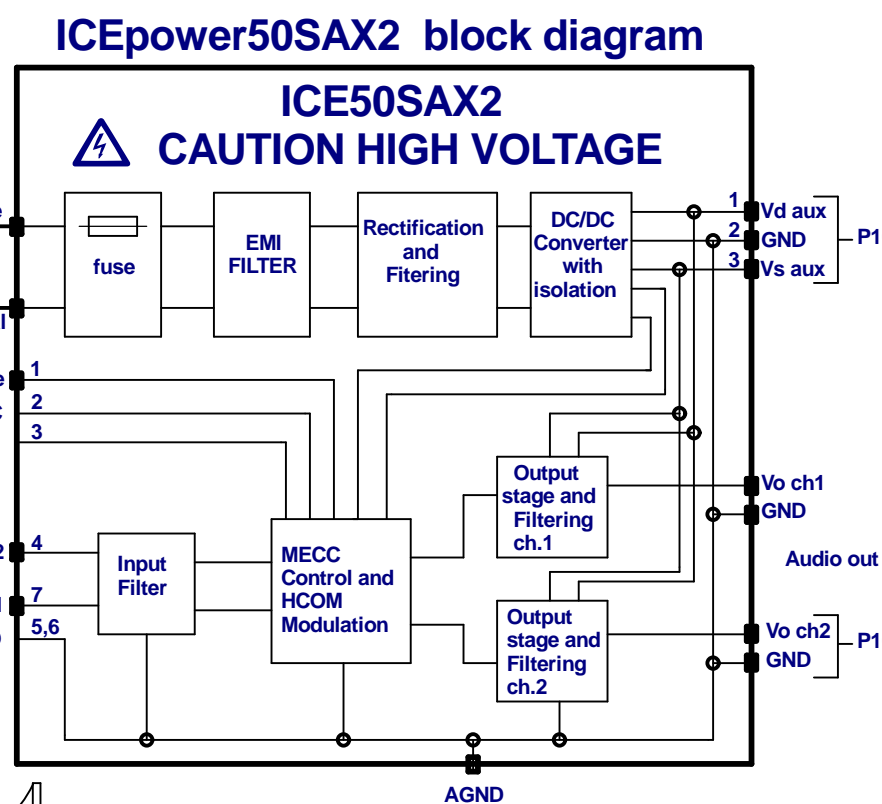
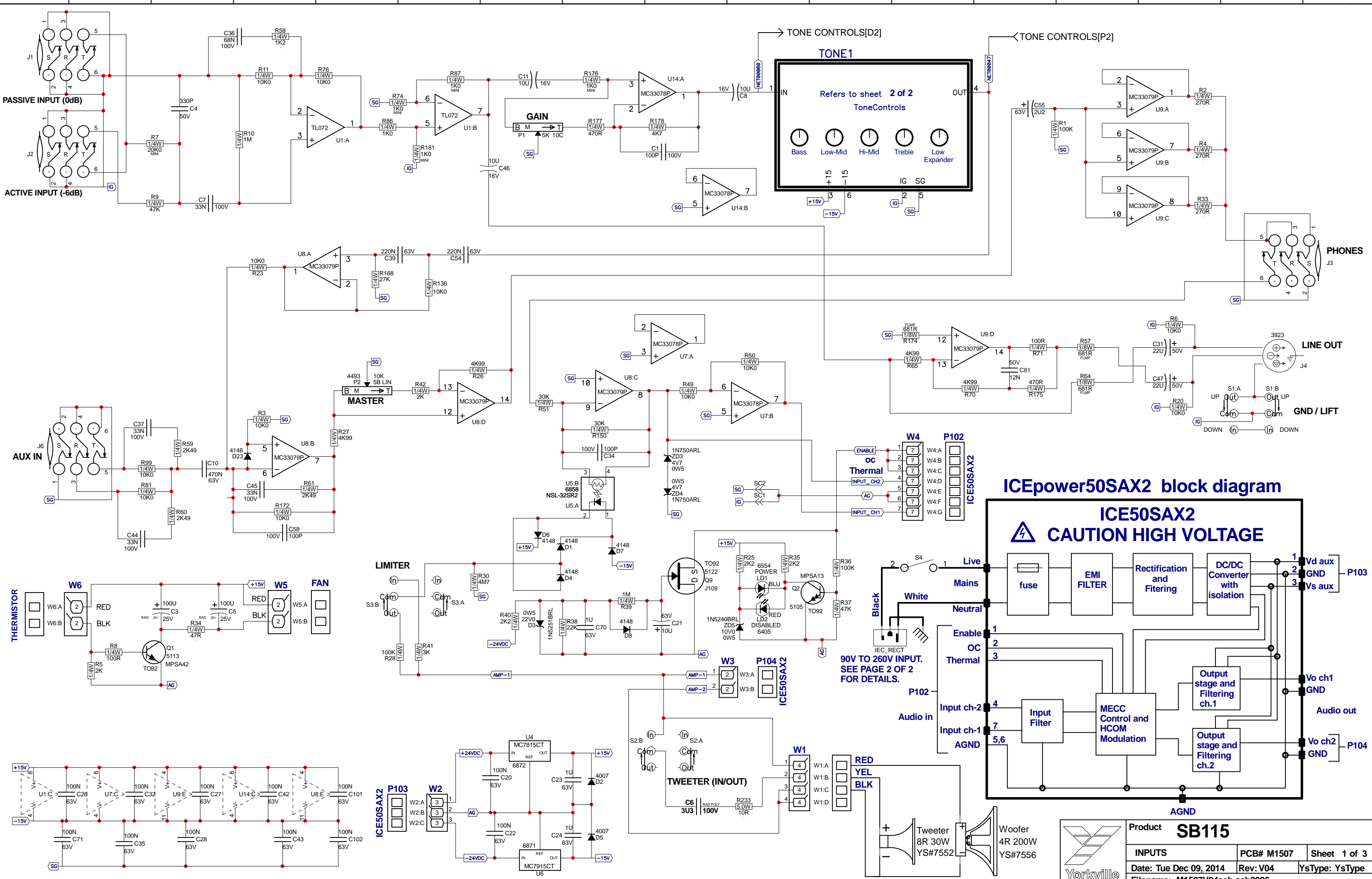
MODEL(S):- SMALL BLOCK - SB112

REF	FUNCTION	PART#	KNOB	STYLE
P1	GAIN	4499	10020	P41
P3	LOW-MID	4494	10020	P41
P4	TREBLE	4494	10020	P41
P5	BASS	4494	10020	P41
P6	HI-MID	4494	10020	P41
P8	LOW EXPANDER	4493	10020	P41
R	F	P	K	N
R	F	P	K	N
R	F	P	K	N
R	F	P	K	N
R	F	P	K	N

M1505 DATABASE HISTORY

MODEL(S):- SMALL BLOCK - SB112

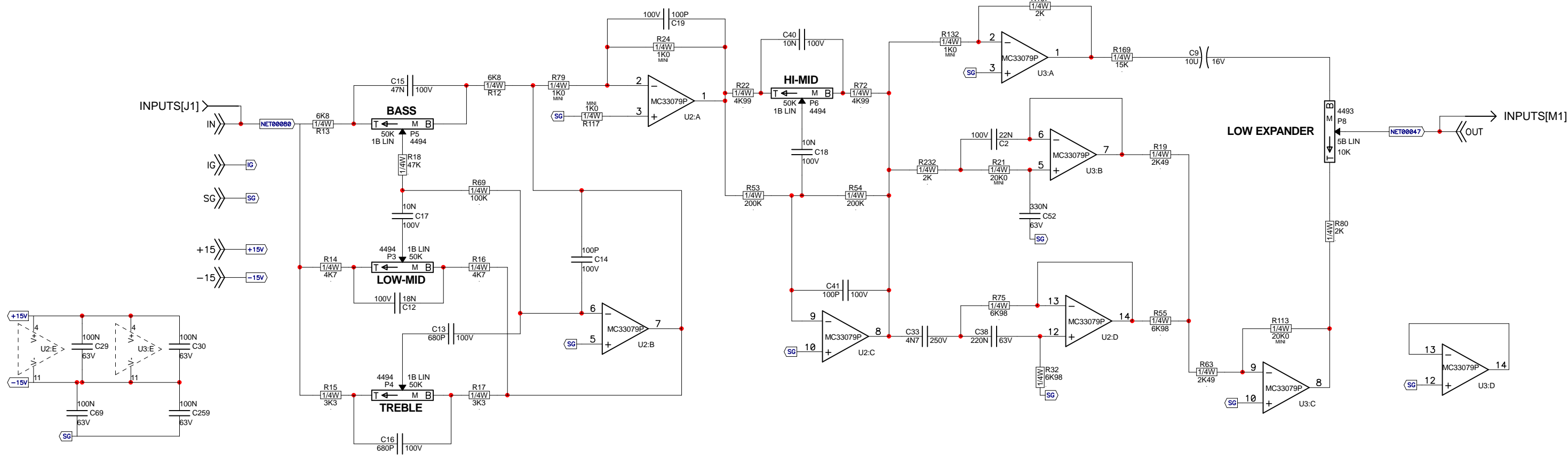
#	DATE	VER#	DESCRIPTION OF CHANGE
1	JAN-08-2013	V01	FIRST PRODUCTION RELEASE. - ML
2	02-MAY-2013	V	Modified schematic to reflect rework done
3	D	V	on all V01 PCBs. - ML
4	13-MAY-2013	V02	PC8540: Rework on V01 included. GG
5	09-JUL-2013	V03	PC8550: Routed auxiliary signal to headphones. - ML
6	11-SEP-2014	V04	PC8696: Replace R65 2K05 to 4K99 (YS 4639)
7	5-DEC-2014	V04	PC#8734:D2,D5 YS#6438(1N4007)added across the-
8			-output of 7815 and 7915 regulators.
9			PC#8738:C20,C22 changed from 33P to 100N YS#5212.
10	10-NOV-2020	V05	PC9217 - Move R11 to prevent shorts and add S/N label
11	D	V	N
12	D	V	N
13	D	V	N



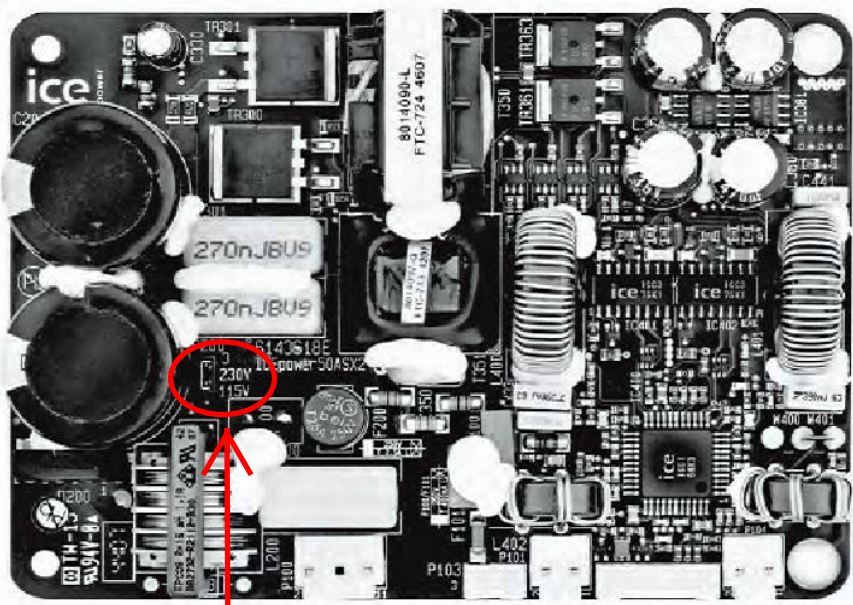
Yorkville

Product **SB115**

INPUTS	PCB# M1507	Sheet 1 of 3
Date: Tue Dec 09, 2014	Rev: V04	YsType: YsType
Filename: M1507V04sch.2006		



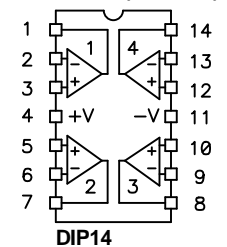
MAINS VOLTAGE INPUT SETTING (NA<->CE)



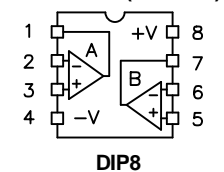
**SET JUMPER P200 TO "115V" FOR NORTH AMERICA.
SET IT TO "230V" FOR EUROPE.**

LEADS & PINS REFERENCE

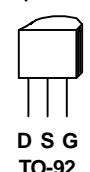
MC33079P (YS#6804)



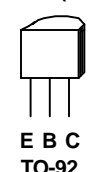
TL072CP (YS#6882)
MC33078P (YS#6840)



J109 (YS#5122)



MPSA13 (YS#5105)
MPSA42 (YS#5113)



POTENTIOMETERS AND KNOBS

M1507 - POTS LIST				
MODEL(S):- SMALL BLOCK - SB115				
REF	FUNCTION	PART#	KNOB	STYLE
P1	GAIN	4499	10020	P41
P2	MASTER	4493	10020	P41
P3	LOW-MID	4494	10020	P41
P4	TREBLE	4494	10020	P41
P5	BASS	4494	10020	P41
P6	HI-MID	4494	10020	P41
P8	LOW EXPANDER	4493	10020	P41
R	F	P	K	N
R	F	P	K	N
R	F	P	K	N
R	F	P	K	N
R	F	P	K	N
R	F	P	K	N

M1507 DATABASE HISTORY			
MODEL(S):- SMALL BLOCK - SB115			
#	DATE	VER#	DESCRIPTION OF CHANGE
1	08-JAN-2013	V01	FIRST PRODUCTION RELEASE
2	13-MAY-2013	V02	PC8540: Several changes. See PC.
3	11-JUL-2013	V03	PC8550: Routed auxiliary signal to headphones. - ML
4	11-SEP-2014	V04	PC8696: Replace R65 2K05 to 4K99 (YS 4639)
5	09-DEC-2014	V04	PC#8734:D2,D5 YS#6438(1N4007)added across the-output of 7815 and 7915 regulators.
6			PC#8738:C20 and C22 changed from 33P to 100N YS#5212.
7			
8	D	V	N
9	D	V	N
10	D	V	N
11	D	V	N
12	D	V	N
13	D	V	N

ICEpower50ASX2
2x50W or 1x170W ICEpower Amplifier
with integrated ICEpower Supply

Important!
This module is not repairable
In case of failure it needs to be replaced.
Please order Yorkville Sound part # 9704

Block Diagram

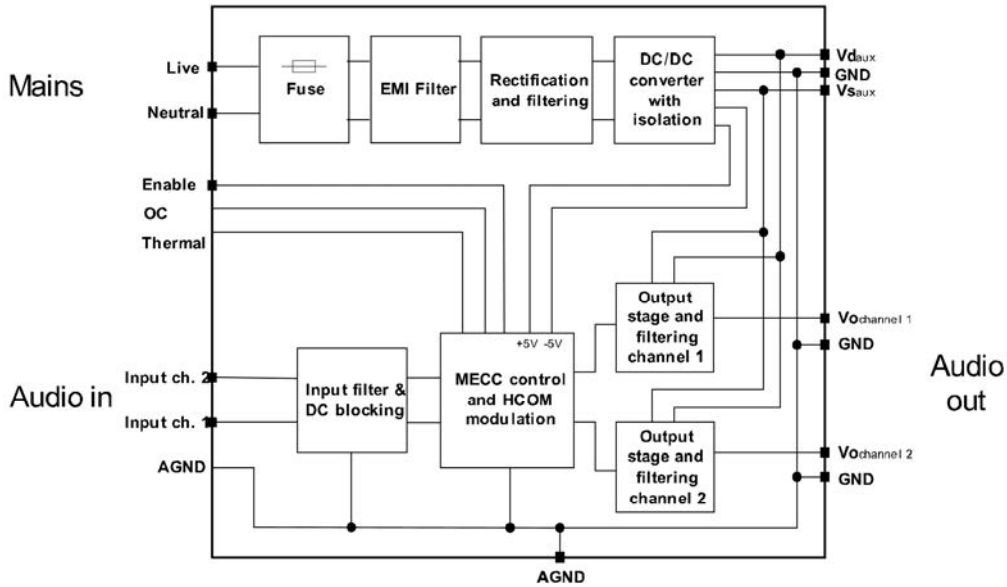


Figure 1: ICEpower50ASX2 block diagram

Connection Diagram

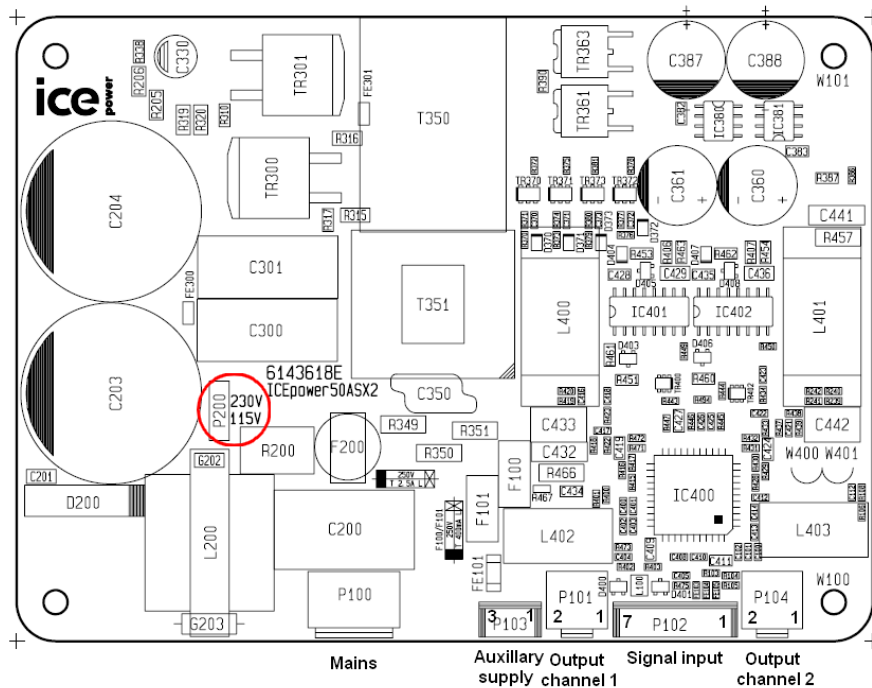
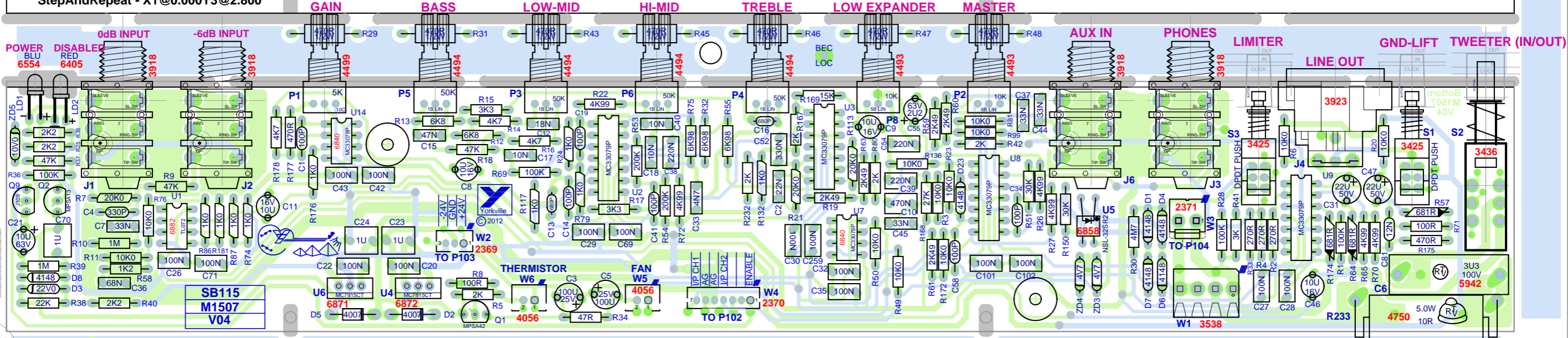


Figure 2: ICEpower50ASX2 connections

BlankSize - 14250x9000

ClinchRepeats - X1 @0.000Y3 @2.800
StepAndRepeat - X1 @0.000Y3 @2.800



M1507 V04

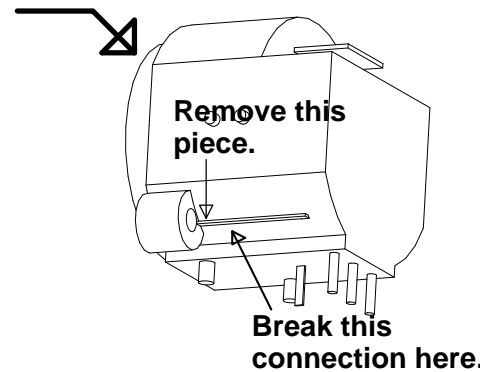
SB115

SEE LAYOUT DOCUMENTATION

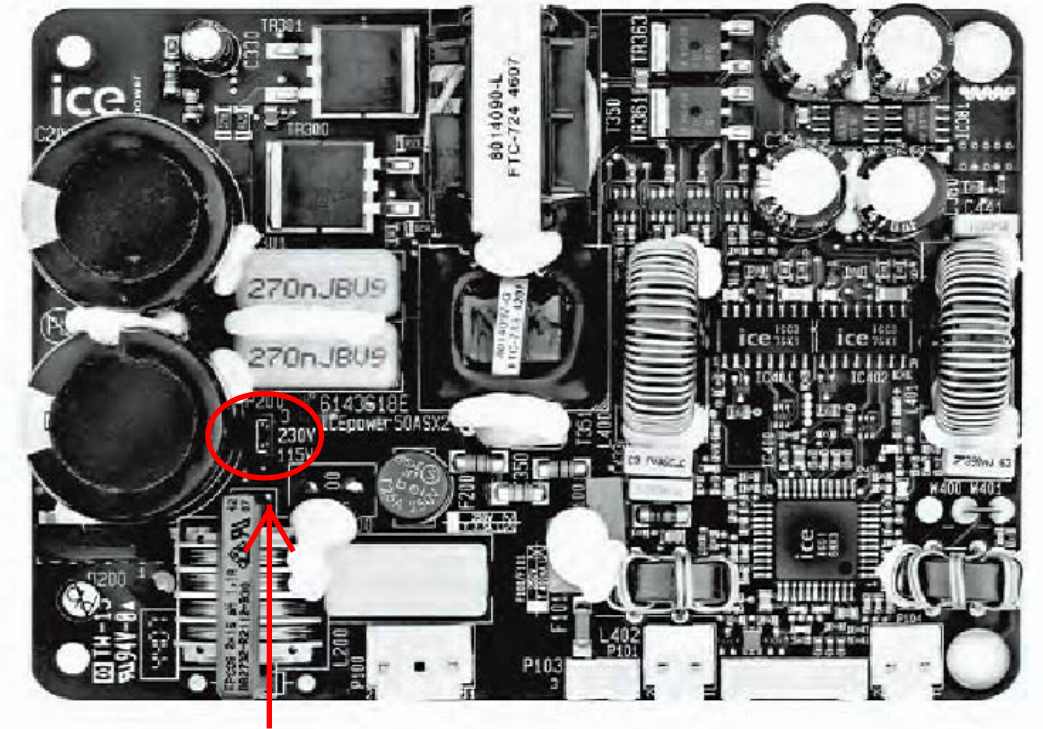
↑↑ SEE LAYOUT DIAGRAM ↑↑

M1507 V04 PRODUCTION NOTES

- 1 - Add RTV to C6 and R233.
- 2 - R29, R31, R43, R45, R46, R47 and R48 are used to level up their respective pots during wave soldering.
- 3 - Please break the panel before testing.
- 4 - Break the connection of XLR J4 as per diagram.



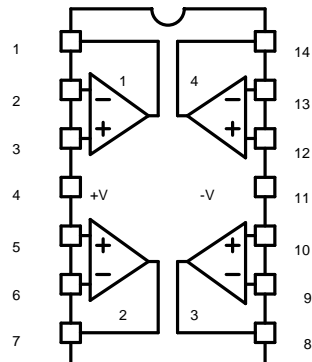
MAINS VOLTAGE INPUT SETTING (NA<->CE)



**SET JUMPER P200 TO "115V" FOR NA.
SET IT TO "230V" FOR CE.**

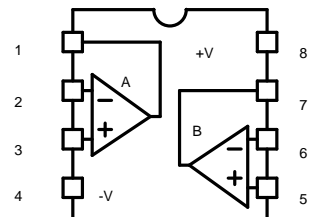
LEADS & PINS REFERENCE

MC33079P (YS#6804)



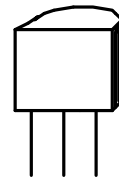
DIP14

**TL072CP (YS#6882)
MC33078P (YS#6840)**



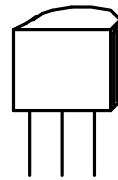
DIP8

J109 (YS#5122)



**D S G
TO-92**

**MPSA13 (YS#5105)
MPSA42 (YS#5113)**



**E B C
TO-92**

POTENTIOMETERS AND KNOBS

M1507 - POTS LIST

MODEL(S):- SMALL BLOCK - SB115

REF	FUNCTION	PART#	KNOB	STYLE
P1	GAIN	4499	10020	P41
P2	MASTER	4493	10020	P41
P3	LOW-MID	4494	10020	P41
P4	TREBLE	4494	10020	P41
P5	BASS	4494	10020	P41
P6	HI-MID	4494	10020	P41
P8	LOW EXPANDER	4493	10020	P41
R	F	P	K	N
R	F	P	K	N
R	F	P	K	N
R	F	P	K	N
R	F	P	K	N

M1507 DATABASE HISTORY

MODEL(S):- SMALL BLOCK - SB115

#	DATE	VER#	DESCRIPTION OF CHANGE
1	08-JAN-2013	V01	FIRST PRODUCTION RELEASE
2	13-MAY-2013	V02	PC8540: Several changes. See PC.
3	11-JUL-2013	V03	PC8550: Routed auxiliary signal to headphones. - ML
4	11-SEP-2014	V04	PC8696: Replace R65 2K05 to 4K99 (YS 4639)
5	09-DEC-2014	V04	PC#8734:D2,D5 YS#6438(1N4007)added across the-
6			-output of 7815 and 7915 regulators.
7			PC#8738:C20 and C22 changed from 33P to 100N YS#5212.
8	D	V	N
9	D	V	N
10	D	V	N
11	D	V	N
12	D	V	N
13	D	V	N

ICEpower50ASX2
2x50W or 1x170W ICEpower Amplifier
with integrated ICEpower Supply

Important!
This module is not repairable
In case of failure it needs to be replaced.
Please order Yorkville Sound part # 9704

Block Diagram

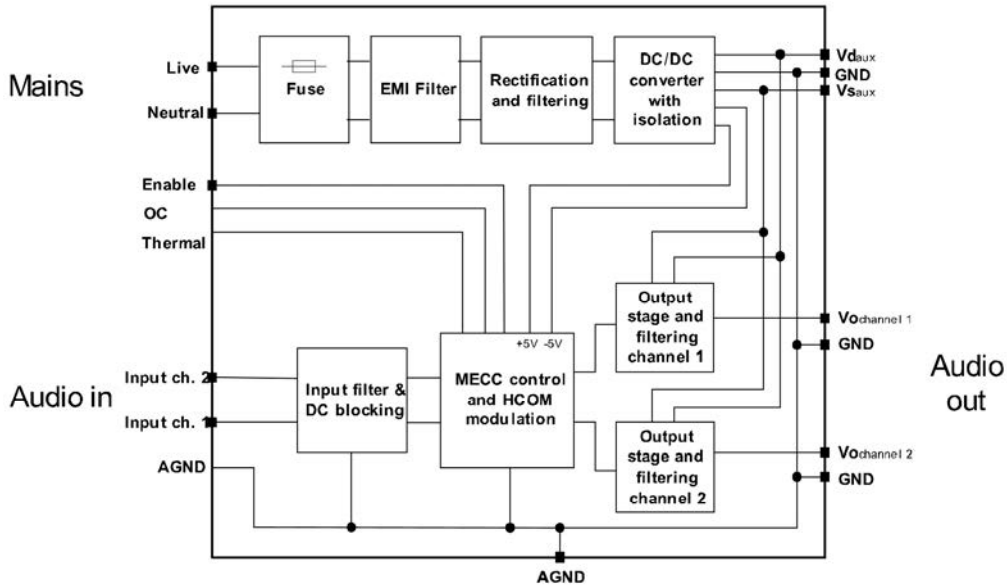


Figure 1: ICEpower50ASX2 block diagram

Connection Diagram

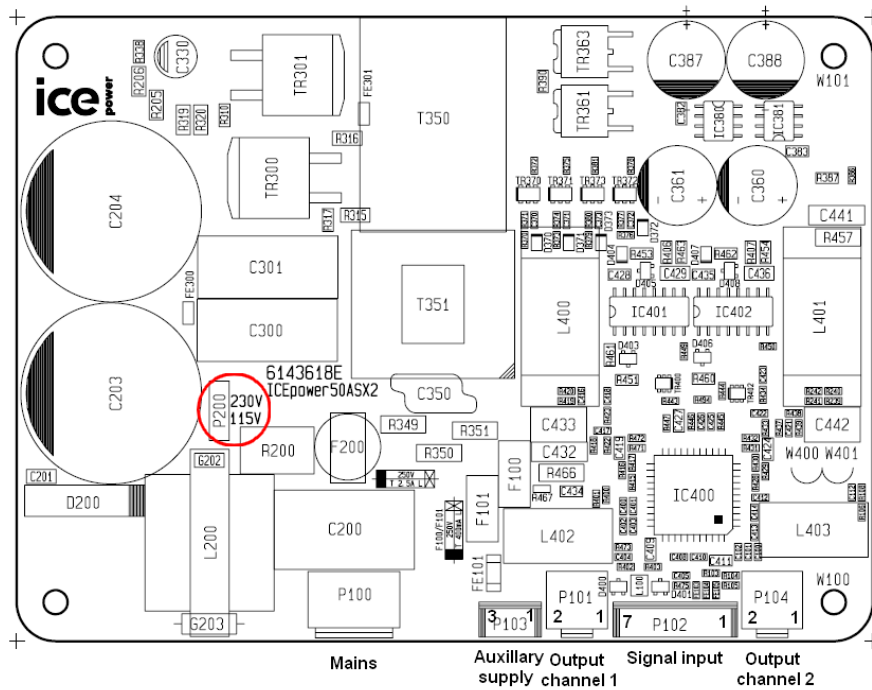


Figure 2: ICEpower50ASX2 connections

Traynor

Traynor Small Block SB110, SB112 & SB115

Please take a little time to read the following instructions; then plug in, switch on, and unleash your musical creativity!

1. Status LED & Power

When powering up, the LED glows red momentarily and then blue (when ready to go). If a fault is detected, the LED will glow red continually.

2. 0dB/Passive & -6dB/Active Inputs

For basses with passive pickups we recommend the 0 dB input and for active pickups, use the -6 dB input.

Note: Don't use both inputs at the same time, the preamp's not designed for more than one instrument at a time.

3. Gain

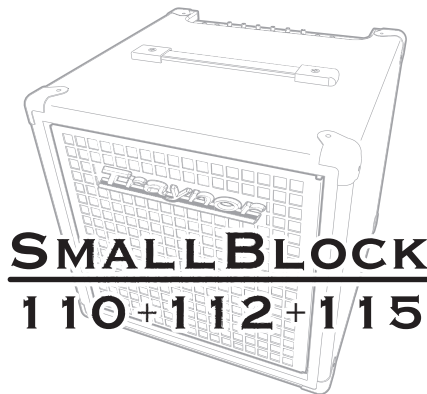
Always setting the signal's level before it's sent to the tone controls.

4. Tone Controls

Each control has a range of ± 15 db. The center position denotes a neutral or nominal setting for all controls. The Bass control adjusts the low frequency and works in conjunction with the Low Mid. The Hi Mid covers the next higher frequency range and the Treble adjusts the upper frequency range.

5. Low Expander

The Low Expander shapes the tone of the bass, extending the low frequency and reducing the mids (around 400 Hz).



6. Master Volume

(SB115 only)

Adjusts the overall level of the amplifier.

7. Aux In

The 1/4-inch TRS jack can be used for a mono or stereo source (which will be summed to mono).

The amp's tone controls have no effect as the signal is injected after the tone controls.

8. Phones Jack

When headphones are used, the amp's speakers are disabled; the XLR Line Out, Tuner jack and Effects Send jack still work.

9. GND Lift Switch

(SB112 and SB115 only)

The switch 'lifts' the ground connection on the Line Out XLR jack. In the Lift position, Pin 1 of the XLR is disconnected, which might help reduce ground loop hum. In most cases, it is recommended to set to GND.

10. Line Out XLR

The Line Out allows the user to connect the Small Block preamp directly to other audio devices when performing live or recording.

11. Limiter Switch

(SB115 only)

To prevent hard clipping of the power amp, a selectable peak limiter is provided.

12. Tweeter Defeat/Active Switch

In the defeat position, the Tweeter is disconnected which provides a softer and more classic bass amplifier tone, for more brightness set the switch to the Active position.



To get the full Owner's Manual please visit our website at

<http://www.yorkville.com/manuals/> or, if you need a printed version call 905-837-8777

**REAL Gear.
REAL People.**



Canada
Voice: (905) 837-8481
Fax: (905) 837-8746

U.S.A.
Voice: (716) 297-2920
Fax: (716) 297-3689

www.yorkville.com

Yorkville Sound
550 Granite Court
Pickering, Ontario
L1W-3Y8 CANADA

Yorkville Sound Inc.
4625 Witmer Industrial Estate
Niagara Falls, New York
14305 USA

Printed In CANADA

QuickStart-SB110-SB112-SB115-00-1v0 • YS#QSTART-SBCOMBOS • November 20, 2020

Traynor

Traynor Small Block SB110, SB112 & SB115

Veillez prendre un instant pour lire les instructions suivantes; puis branchez, allumez et libérez votre créativité musicale!

1. DEL d'État et Alimentation

Lors de la mise sous tension, la DEL s'allume momentanément en rouge, puis passe au bleu (quand l'appareil est prêt à être utilisé). Si un défaut est détecté, la DEL s'allume en rouge en permanence.

2. Entrées 0 dB/Passive et -6 dB/Active

Pour les basses avec des micros passifs, nous recommandons l'entrée de 0 dB et pour celles avec micros actifs, utilisez l'entrée de -6 dB.

Remarque: n'utilisez pas les deux entrées en même temps, le préampli n'est pas conçu pour plus d'un instrument à la fois.

3. Gain

Permet de régler le niveau du signal avant qu'il ne soit acheminé vers les commandes de tonalité.

4. Commandes de Tonalité

Chaque commande a une plage de ± 15 db. La position centrale indique un réglage neutre ou nominal pour toutes les commandes. La commande Bass règle les basses fréquences et fonctionne en conjonction avec la commande Low Mid. La commande Hi Mid couvre la plage de fréquences supérieure suivante et la commande Treble ajuste la plage de fréquences la plus haute.

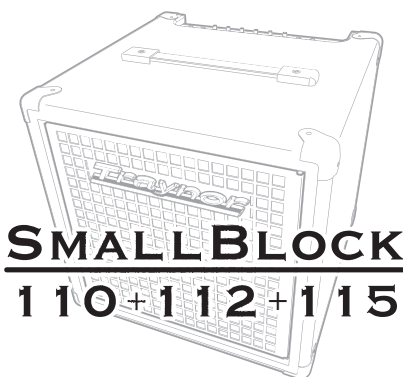
5. Commande Low Expander

La commande Low Expander modifie la tonalité des basses. Elle rehausse les basses fréquences et réduit les médiums (environ 400 Hz).

6. Commande Master Volume

(SB115 seulement)

Règle le niveau général de l'amplificateur.



7. Entrée Aux

La prise TRS 1/4 peut être utilisée pour une source mono ou stéréo (qui sera additionnée en mono). Les commandes de tonalité de l'ampli n'ont aucun effet sur ce signal puisque celui-ci est injecté après les commandes de tonalité.

8. Prise pour casque

Lorsque l'on utilise un casque, les haut-parleurs de l'ampli sont désactivés; la sortie ligne XLR, la prise Tuner et la prise Effects Send continuent de fonctionner.

9. Commutateur GND Lift

(SB112 et SB115 seulement)

Le commutateur "débranche" la connexion à la terre de la prise XLR Line Out. En position "Lift",

la broche 1 de la XLR est déconnectée, ce qui peut aider à réduire le bourdonnement de la boucle de masse. Dans la plupart des cas, il est recommandé de régler le commutateur sur la position GND.

10. Sortie Ligne XLR

La sortie ligne permet à l'utilisateur de connecter le préampli Small Block directement à d'autres appareils audio lors d'une prestation en direct ou d'un enregistrement.

11. Commutateur Limiter

(SB115 seulement)

Un limiteur de crête commutable est prévu pour éviter un écrêtage sévère au niveau de l'amplificateur de puissance.

12. Commutateur Tweeter Defeat/Active

En position "Defeat", le tweeter est déconnecté, ce qui donne un son plus doux et plus classique de l'amplificateur de basses. Pour plus de brillance, placez le commutateur à la position "Active".



Pour obtenir le manuel de utilisateur visitez notre site Web à <http://www.yorkville.com/manuals/> ou, si vous avez besoin d'une version imprimée appelez-nous au 905-837-8777

**REAL Gear.
REAL People.**



Canada
Voice: (905) 837-8481
Fax: (905) 837-8746

U.S.A.
Voice: (716) 297-2920
Fax: (716) 297-3689

www.yorkville.com

Yorkville Sound
550 Granite Court
Pickering, Ontario
L1W-3Y8 CANADA

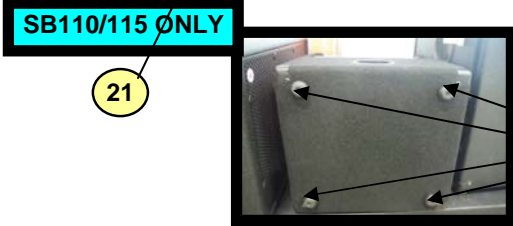
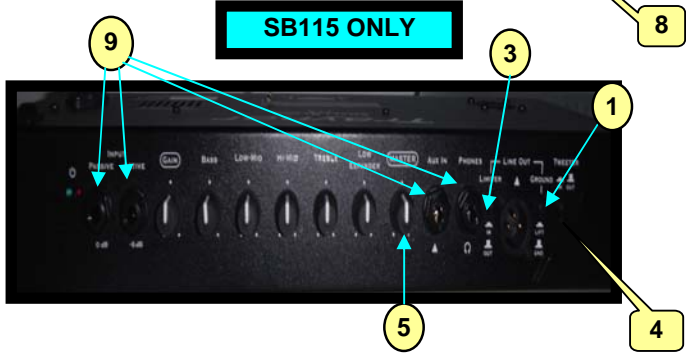
Yorkville Sound Inc.
4625 Witmer Industrial Estate
Niagara Falls, New York
14305 USA



SB110/12/15

BASS GUITER AMPLIFIERS

#	Part#	Description	qty
Labeled Components			
1	3436	DPDT PUSH SW PCMT H BREAK B4 MAKE	1
2	8649	BUTTON KNOB FLAT BLACK	1
3	3425	DPDT PUSH SW PCMT BREAK B4 MAKE	1
4	8636	BUTTON 230X465 RND FLAT BLK (3425)	1
5	4493	10K 5B LIN 9.5MM HORIZONTAL P41	1--2
6	4494	50K 1B LIN 9.5MM HORIZONTAL P41	4
7	4499	5K 10C 9.5MM HORIZONTAL P41	1
8	10030	SB200H KNB BLK WHT POINTER K SHAFT	6--7
9	3918	1/4" JCK PCB MT HORZ SLIM W/SCREW	4
10	3923	XLR MALE PCB MT HORZ MTHOLE-V SNAP	1
11	3428	8' 3/18 SJT AC LINE CORD REMOVABLE	1
12	8522	RUBBER BUMPER WITH WASHER -SMALL-	4
13	8570	CORNER,2 LEGS NOTCED BLACK POWDER	8
14	3645	RECEPTACLE:INLET	1
15	4173	FAN 40MM X 10MM 4.5CFM 12VDC 5MA	1
16	7555	12" 4R 200WPGM SPEAKER	1
17	7552	8R 30W TWEETER PIEZO S	1
18	8451	10.0" STRAP HANDLE,BLACK METAL ENDC	1
19	3698	SPST ROKR SW QUIK 180" AC PWR BL/BL	1
20	10019	TRAYNOR ALUMINUM LOGO DIE CAST	1
21	8426	3 X 6 ROLLED EDGE PORT TUBE	1





Yorkville Sound

550 Granite Court
Pickering, Ontario
Canada L1W 3Y8

Auto Attend: (905) 837-8550

Fax: (905) 837-8746

www.yorkville.com
